

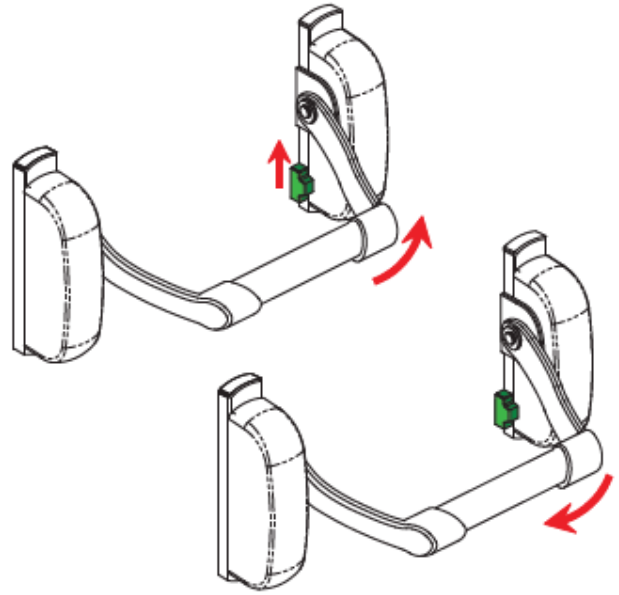
Operating Mortice Panic Device

To Lock Device (From Inside)

1. Close the door fully and engage the latch.
2. Slide the green snib upwards approx. 10mm
3. Pull cross arm towards you in an upward arc to throw hooks and rollers to the locked position – the hooks and rollers should engage in strikers.

To Operate Device (From Inside)

1. Push cross arm towards door in a downward arc to release hooks and rollers allowing door to open.



Operating Outside Access Device

To Lock Device (From Outside)

1. Close the door fully and engage the latch.
2. Insert key and rotate 145° until some resistance is felt.
3. Turn key a further 35° - this will release lever.
4. Lift the lever up to throw hooks and rollers to the locked position - the hooks and rollers should engage smoothly into strikers.
5. The key can now be rotated back 180° and removed from cylinder.

To Unlock Device (From Outside)

1. Insert key and rotate 145° until some resistance is felt
2. Turn key a further 35° - this will release lever
3. Push the lever downwards to release latch, hooks and/or rollers allowing door to open
4. The key can now be rotated back 180° and removed from cylinder

Please note: The Outside Access Device cannot be left in the unlocked position.

